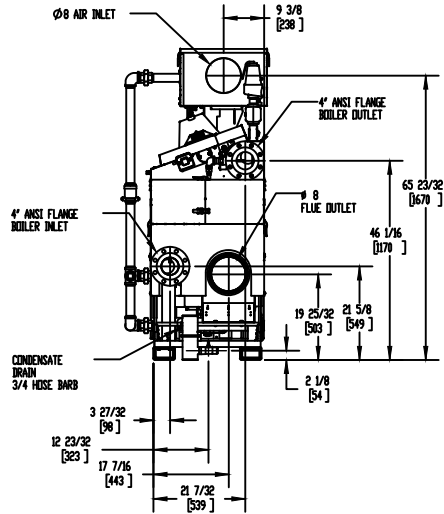
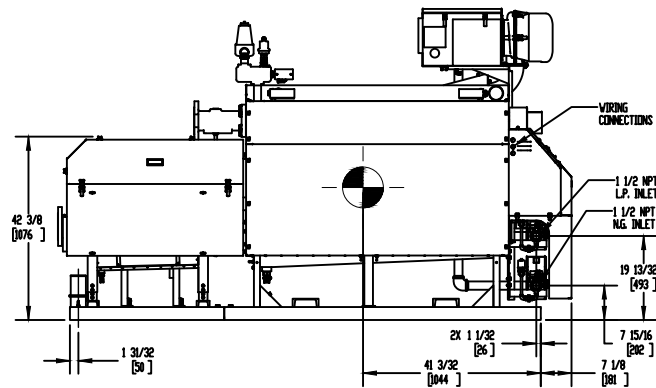


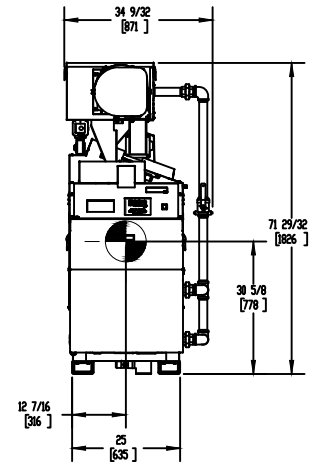
TOP VIEW



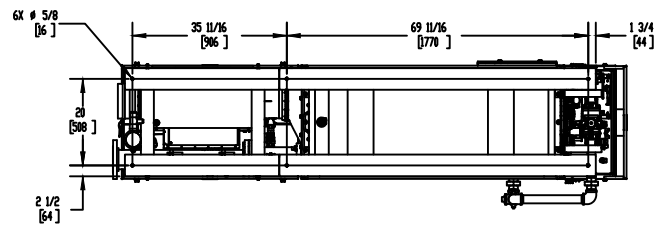
REAR VIEW



REAR VIEW



FRONT VIEW



BOTTOM VIEW

- NOTES
1. SYMBOL INDICATES CENTER OF GRAVITY.
  2. DIMENSIONS ARE NOMINAL AND SUBJECT TO MANUFACTURING VARIATION AND SHOULD NOT BE USED FOR "ROUGHING IN".
  3. ALL DIMENSIONS ARE INCHES (mm).